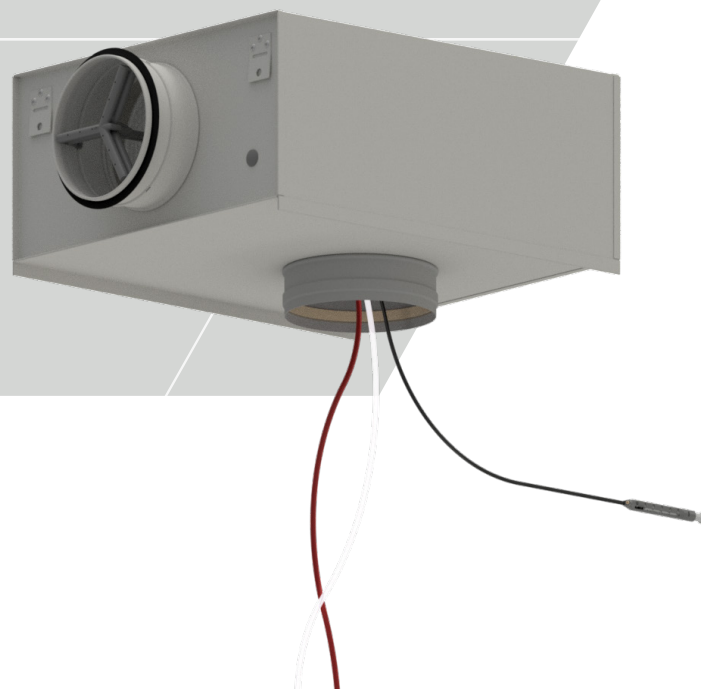
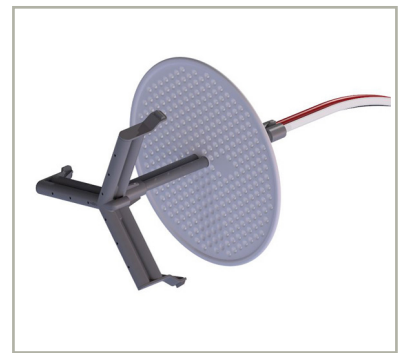
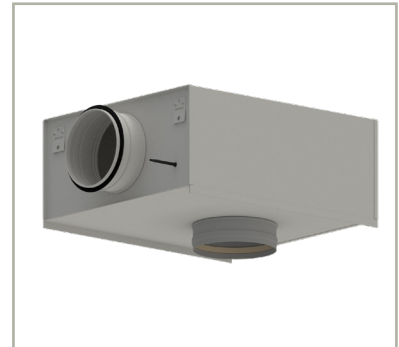


AIRTREND Ltd.
Predstavništvo u Beogradu
Kumanovska 14
11000 Beograd
Tel: 011 3836886, 3085740
Faks: 011 3444113
e-mail: gobrid@eunet.rs
web: www.airtrend.rs

Connection box SKKA/SKKU

TECHNICAL DATA



CONNECTION BOX SKKA/SKKU

SKKA/SKKU is a range of plenum boxes for all types of diffusers with a round connection. SKKA type is dedicated for NWPA, NWCA, NWPP, NPDA, SDZA diffusers, which are not supplied with a gasket on the collar.

SKKU is suitable for use with KHAA, KHLA, ODZA diffusers, which are equipped with a gasket on the collar.

Connection boxes can be delivered without or with sound attenuation lining. In the latter case, it is used self-extinguishing foam, which does not support flame spread.

SKKA/SKKU plenum boxes with duct connections of diameter 100, 125, 160, 200, 250 and 315 mm can be equipped with the measurement and adjustment ZAEF damper, which enables balanced and accurate values thanks to patented multipoint measuring.

SKKA/SKKU boxes can also be used to exhaust diffusers. When using the exhaust version with the damper ZAEF, pressure pipe is connected inside the box.

PRODUCT DATA

- Easy to install and adjust
- Includes a ZAEF measurement and adjustment damper that can be easily removed without changing the setting
- Accurate air flow measurement and adjustment
- Duct connection diameters 100-710 mm
- Made of galvanized sheet steel

PRODUCT CODE EXAMPLE

SKKA-16-20-1-2

Duct connection diameter of 160 mm, diffuser size 20, with sound attenuation material, with ZAEF measurement and adjustment damper.

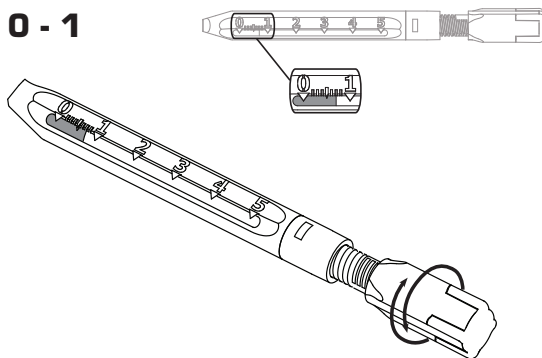
GENERAL

EXECUTION AND FUNCTION

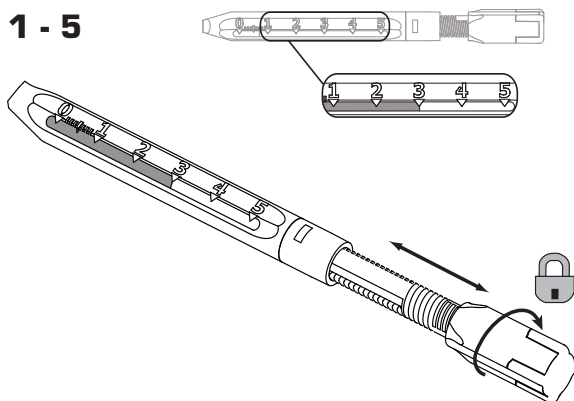
The patented multipoint measuring of the measurement and adjustment damper enables balanced and accurate values. The adjustment handle of the measurement and adjustment damper has a position indicator and a locking device. For minor damper openings (0-1) the measurement and adjustment damper features a fine-tuning function that is operated by turning the adjustment spindle of the adjustment handle. With larger openings (1-5), the sliding adjustment provides fast settings.

The setting is locked by turning the adjustment spindle clockwise to the locking position. The measurement and adjustment damper can be easily removed (except 1:1 model) for inspection and cleaning without changing its setting. The k-factors for different installations (supply air) are marked on the adjusting cable. For k-factors for exhaust air, see the adjustment instructions for the respective diffuser.

0 - 1



1 - 5



INSTALLATION

For diffuser installation purposes, connection boxes SKKU/SKKA are equipped at the top with a rivet nut size M6. There are threaded rods attached, cut to specific lengths. Each plenum box is supplied with lugs attached to the walls for hanging purposes. For more detailed information, see the product-specific installation instructions

MAINTENANCE

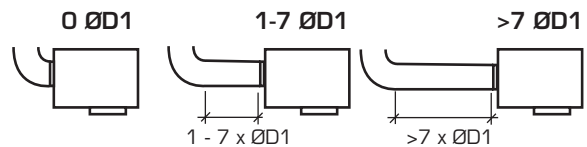
The SKKA/SKKU plenum box includes a measurement and adjustment damper (ZAEF) that can be easily removed without changing its setting. The ductwork can be cleaned through the box.

MATERIAL

Made of galvanized sheet steel. Sound attenuation lining is made of elastomeric foam based on synthetic rubber of fire reaction class B-s3,d0 according to EN13501-1 standard. The measurement and adjustment damper is mainly plastic (ABS and PA).

K-FACTORS FOR SUPPLY AIR

For k-factors for exhaust air, see the adjustment instructions for the respective diffuser.



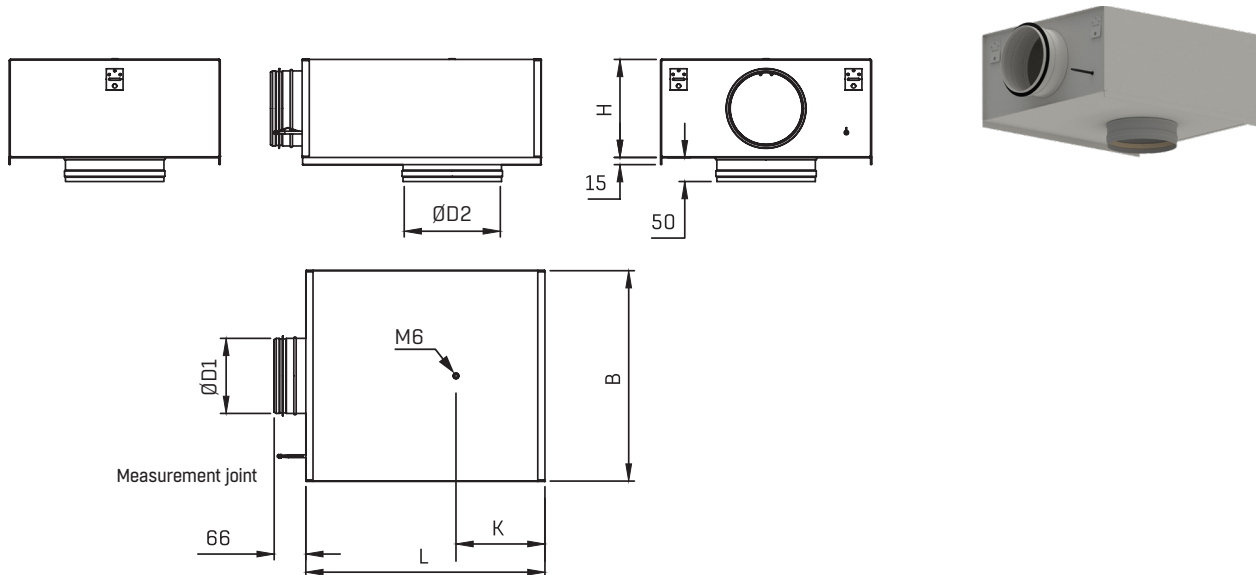
ØD1	0ØD1	1-7ØD1	>7ØD1
100	6.0	6.3	5.9
125	10.1	10.6	10.1
160	17.1	19.9	17.3
200	27.0	30.8	27.9
250	47.1	48.8	39.9
315	65.9	67.2	64.1

SPECIFICATIONS TEXT EXAMPLE

SKKA/SKKU plenum boxes for supply and exhaust air. The plenum box includes a removable ZAEF measurement and adjustment damper as well as effective sound attenuation lining.

DIMENSIONS

SKKA CONNECTION BOX

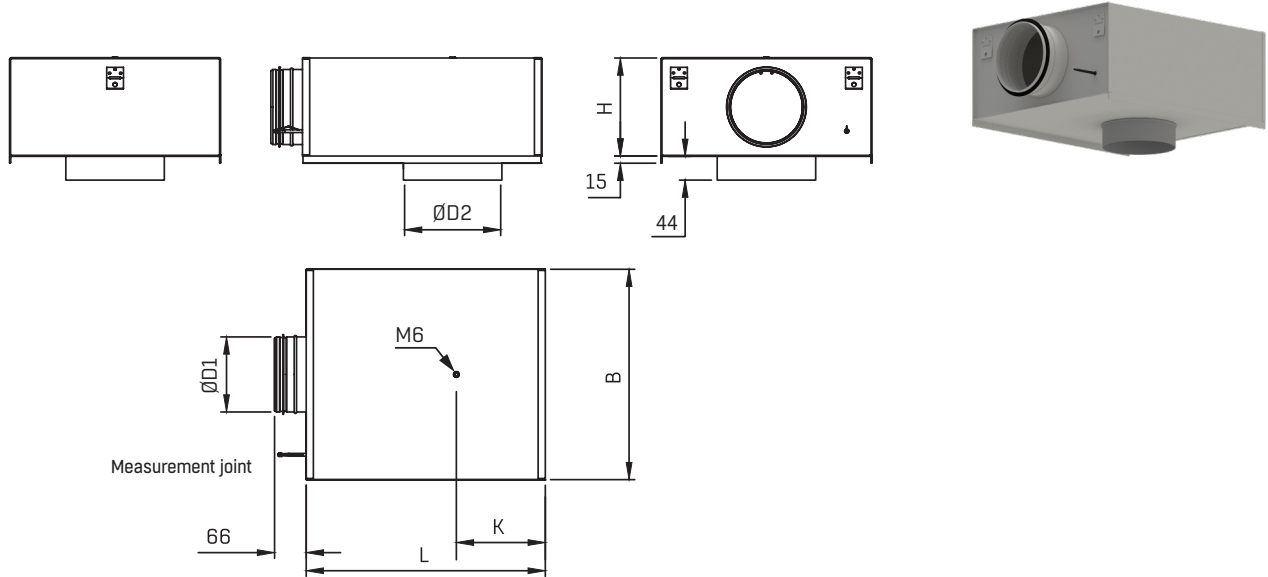


Model	Ø D1 (mm)	Ø D2 (mm)	H (mm)	L (mm)	B (mm)	K (mm)	Weight (kg)
SKKA-10-10-0-(0,2)	100	100	170	320	320	120	2.8
SKKA-10-10-1-(0,2)	100	100	170	320	320	120	3.0
SKKA-10-12-0-(0,2)	100	125	170	320	320	120	2.9
SKKA-10-12-1-(0,2)	100	125	170	320	320	120	3.1
SKKA-12-12-0-(0,2)	125	125	170	470	320	160	3.7
SKKA-12-12-1-(0,2)	125	125	170	470	320	160	4.1
SKKA-12-16-0-(0,2)	125	160	170	470	320	160	3.8
SKKA-12-16-1-(0,2)	125	160	170	470	320	160	4.2
SKKA-12-16-4-0	125	214	250	470	320	167	3.8
SKKA-12-16-5-0	125	214	250	470	320	167	4.2
SKKA-16-16-0-(0,2)	160	160	205	500	440	185	5.3
SKKA-16-16-1-(0,2)	160	160	205	500	440	185	5.7
SKKA-16-18-0-(0,2)	160	180	205	500	440	185	5.4
SKKA-16-18-1-(0,2)	160	180	205	500	440	185	5.8
SKKA-16-18-4-0	160	238	250	500	440	185	5.4
SKKA-16-18-5-0	160	238	250	500	440	185	5.8
SKKA-16-20-0-(0,2)	160	200	205	500	440	185	5.5
SKKA-16-20-1-(0,2)	160	200	205	500	440	185	5.9
SKKA-16-20-4-0	160	265	250	500	440	185	5.5
SKKA-16-20-5-0	160	265	250	500	440	185	5.9
SKKA-20-20-0-(0,2)	200	200	245	650	480	218	7.5
SKKA-20-20-1-(0,2)	200	200	245	650	480	218	8.1
SKKA-20-25-0-(0,2)	200	250	245	650	480	218	7.6
SKKA-20-25-1-(0,2)	200	250	245	650	480	218	8.2
SKKA-20-25-4-0	200	322	250	650	480	218	7.6
SKKA-20-25-5-0	200	322	250	650	480	218	8.2
SKKA-25-25-0-(0,2)	250	250	295	700	570	260	9.8

Model	Ø D1 (mm)	Ø D2 (mm)	H (mm)	L (mm)	B (mm)	K (mm)	Weight (kg)
SKKA-25-25-1-(0,2)	250	250	295	700	570	260	10.6
SKKA-25-31-0-(0,2)	250	315	295	700	570	260	9.9
SKKA-25-31-1-(0,2)	250	315	295	700	570	260	10.7
SKKA-25-31-4-0	250	402	295	700	570	260	9.9
SKKA-25-31-5-0	250	402	295	700	570	260	10.7
SKKA-25-35-0-(0,2)	250	355	295	700	570	260	10.0
SKKA-25-35-1-(0,2)	250	355	295	700	570	260	10.8
SKKA-25-35-4-0	250	450	295	700	570	285	10.0
SKKA-25-35-5-0	250	450	295	700	570	285	10.8
SKKA-31-31-0-(0,2)	315	315	360	700	570	310	11.5
SKKA-31-31-1-(0,2)	315	315	360	700	570	310	12.5
SKKA-31-40-0-(0,2)	315	400	360	700	570	310	11.6
SKKA-31-40-1-(0,2)	315	400	360	700	570	310	12.6
SKKA-31-40-4-0	315	504	360	700	570	310	11.6
SKKA-31-40-5-0	315	504	360	700	570	310	12.6
SKKA-31-50-0-(0,2)	315	500	360	700	570	310	11.7
SKKA-31-50-1-(0,2)	315	500	360	700	570	310	12.7
SKKA-31-50-4-0	315	639	360	800	800	380	14.0
SKKA-31-50-5-0	315	639	360	800	800	380	15.3
SKKA-40-40-0-0	400	400	455	700	570	300	12.2
SKKA-40-40-1-0	400	400	455	700	570	300	13.2
SKKA-50-50-0-0	500	500	555	700	570	350	13.5
SKKA-50-50-1-0	500	500	555	700	570	350	14.7
SKKA-63-63-0-0	630	630	685	800	800	400	20.9
SKKA-63-63-1-0	630	630	685	800	800	400	22.7
SKKA-71-71-0-0	710	710	885	950	950	475	30.8
SKKA-71-71-1-0	710	710	885	950	950	475	33.4

DIMENSIONS

SKKU CONNECTION BOX



Model	Ø D1 (mm)	Ø D2 (mm)	H (mm)	L (mm)	B (mm)	K (mm)	Weight (kg)
SKKU-10-12-0-(0,2)	100	125	170	320	320	120	2.9
SKKU-10-12-1-(0,2)	100	125	170	320	320	120	3.1
SKKU-12-12-0-(0,2)	125	125	170	470	320	160	3.7
SKKU-12-12-1-(0,2)	125	125	170	470	320	160	4.1
SKKU-12-16-0-(0,2)	125	160	170	470	320	160	3.8
SKKU-12-16-1-(0,2)	125	160	170	470	320	160	4.2
SKKU-16-16-0-(0,2)	160	160	205	500	440	185	5.3
SKKU-16-16-1-(0,2)	160	160	205	500	440	185	5.7
SKKU-16-20-0-(0,2)	160	200	205	500	440	185	5.5
SKKU-16-20-1-(0,2)	160	200	205	500	440	185	5.9
SKKU-20-20-0-(0,2)	200	200	245	650	480	218	7.5
SKKU-20-20-1-(0,2)	200	200	245	650	480	218	8.1
SKKU-20-25-0-(0,2)	200	250	245	650	480	218	7.6
SKKU-20-25-1-(0,2)	200	250	245	650	480	218	8.2
SKKU-25-25-0-(0,2)	250	250	295	700	570	260	9.8
SKKU-25-25-1-(0,2)	250	250	295	700	570	260	10.6
SKKU-25-31-0-(0,2)	250	315	295	700	570	260	9.9

Model	Ø D1 (mm)	Ø D2 (mm)	H (mm)	L (mm)	B (mm)	K (mm)	Weight (kg)
SKKU-25-31-1-(0,2)	250	315	295	700	570	260	10.7
SKKU-31-31-0-(0,2)	315	315	360	700	570	310	11.5
SKKU-31-31-1-(0,2)	315	315	360	700	570	310	12.5
SKKU-31-40-0-(0,2)	315	400	360	700	570	310	11.6
SKKU-31-40-1-(0,2)	315	400	360	700	570	310	12.6
SKKU-31-50-0-(0,2)	315	500	360	700	570	310	11.7
SKKU-31-50-1-(0,2)	315	500	360	700	570	310	12.7
SKKU-40-40-0-0	400	400	455	700	570	300	12.2
SKKU-40-40-1-0	400	400	455	700	570	300	13.2
SKKU-40-50-0-0	400	500	455	700	570	350	12.4
SKKU-40-50-1-0	400	500	455	700	570	350	13.4
SKKU-50-50-0-0	500	500	555	700	570	350	13.5
SKKU-50-50-1-0	500	500	555	700	570	350	14.7
SKKU-50-63-0-0	500	630	555	800	800	400	13.7
SKKU-50-63-1-0	500	630	555	800	800	400	14.9
SKKU-63-63-0-0	630	630	685	800	800	400	20.9
SKKU-63-63-1-0	630	630	685	800	800	400	22.7

PRODUCT CODE

Connection box

SKKA-aa-bb-c-d

Duct connection size, cm (aa)

10, 12, 16, 20, 25, 31, 40, 50, 63, 71

Diffuser size (bb)

10, 12, 16, 20, 25, 31, 40, 50, 63, 71

Sound attenuation material (c)

0 = without

1 = with

4 = without, only for NWPP diffuser

5 = with, only for NWPP diffuser

Damper (d)

0 = without damper

2 = with measurement and adjustment damper ZAEF
(up to duct connection size 31)

Connection box

SKKU-aa-bb-c-d

Duct connection size, cm (aa)

10, 12, 16, 20, 25, 31, 40, 50, 63

Diffuser size (bb)

12, 16, 20, 25, 31, 40, 50, 63

Sound attenuation material (c)

0 = without

1 = with

Damper (d)

0 = without damper

2 = with measurement and adjustment damper ZAEF
(up to duct connection size 31)

EXCELLENCE IN SOLUTIONS

FläktGroup is the European market leader for smart and energy efficient Indoor Air and Critical Air solutions to support every application area. We offer our customers innovative technologies, high quality and outstanding performance supported by more than a century of accumulated industry experience. The widest product range in the market, and strong market presence in 65 countries worldwide, guarantee that we are always by your side, ready to deliver Excellence in Solutions.

PRODUCT FUNCTIONS BY FLÄKTGROUP

Air Treatment | Air Movement | Air Diffusion | Air Distribution | Air Filtration
Air Management & ATD's | Air Conditioning & Heating | Controls | Service

» Learn more on www.flaktgroup.com
or contact one of our offices